



Let's grow together



Environmentally
Friendly



International
Local



24 hours
Service



1.5-1.8t (Diesel, Gasoline, LPG)
T series Internal Combustion Forklift

EP EQUIPMENT CO.,LTD.
www.ep-ep.com



Performance

1. Wide-view Mast

The operator is able to work with increased safety and accuracy due to a wider view mast.

2. Adjustable Steering Wheel

Steering wheel can be adjusted by a lever on the right-hand side for the most comfortable operator position.

3. Simple, Small-Stroke F/R Lever

The forward-reverse lever swings through a smaller arc than previous models, meaning less effort and less total time used during this basic, often-performed function.

4. Automobile-Style Light/Turn-Signal Lever

The automotive influence seen in the T Series extends to the thoughtful use of an automobile-style light and turnsignal lever, with simple actions that let the operator focus on the job.

5. Wide-Open Operation Space

The area between the foot pedals and the body below the seat is open and free of obstructions that hamper entering and exiting the forklift.

6. Easily-Detached Floor Panel

One-touch removal of the floorboard gets you right to service operations and reduces down-time.

7. Brake Oil

Easy to check and add brake oil.

8. Option

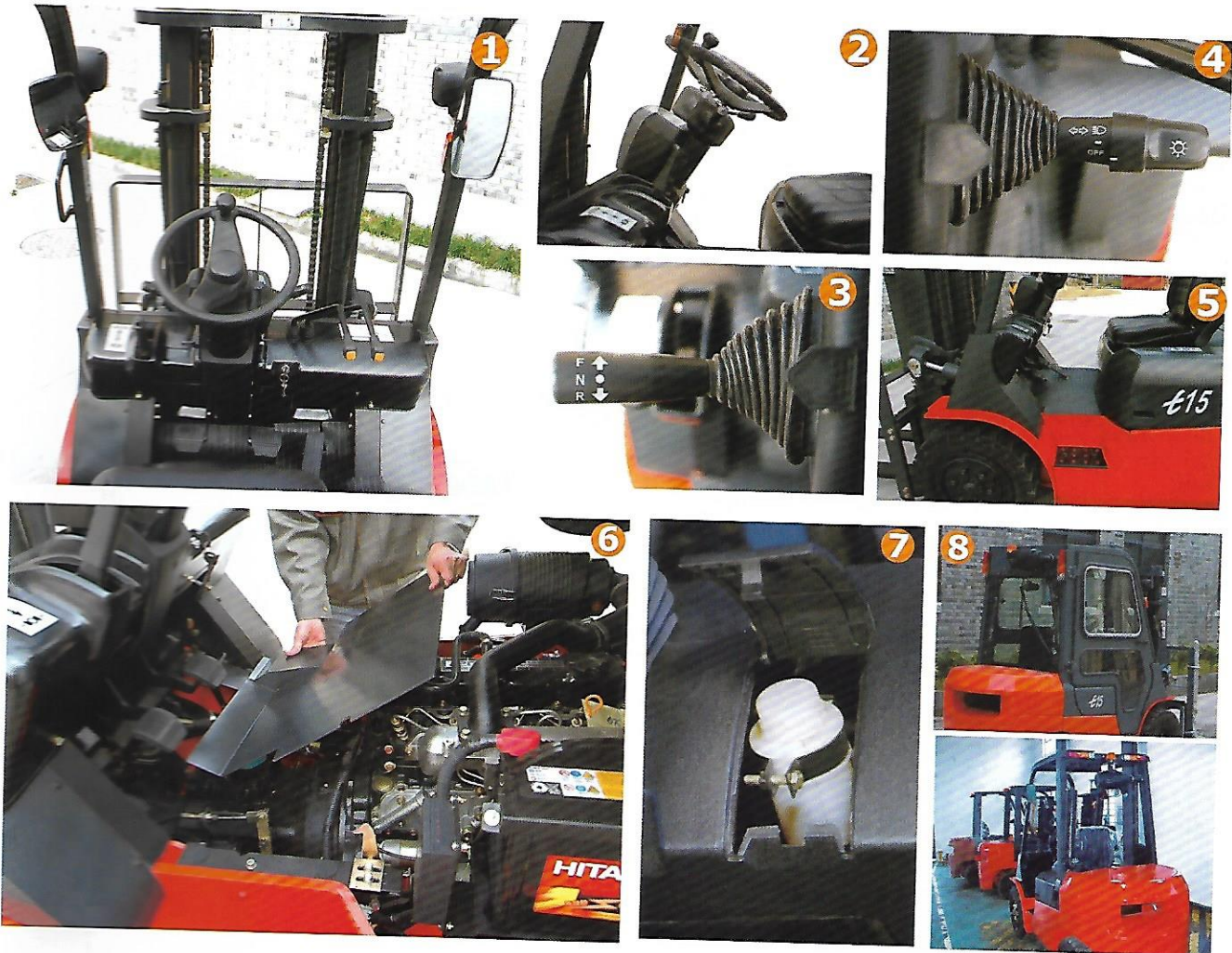
Special carriage and backrest

Other dimension forks Dual drive wheel with fender Cabin Heater and air condition Dual air cleaner or special air cleaner

Rear working light.

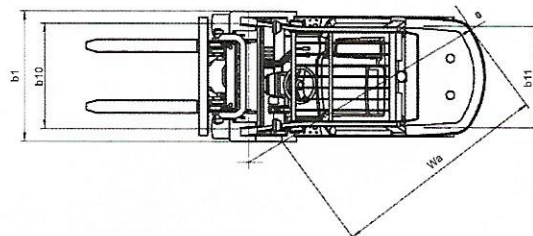
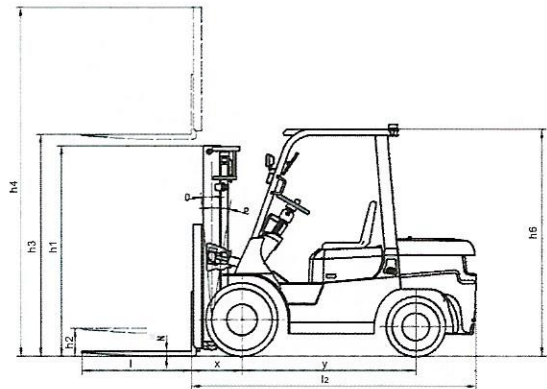
Custom color paint

High-mounted exhaust system Middle-mounted exhaust system Sideshifter Other attachment Lpg fuel system (single, dual)



T series Internal Combustion Forklift 1.5-1.8t (Diesel, Gasoline, LPG)

Characteristics								
1.1	Manufacturer		EP	EP	EP	EP	EP	
1.2	Model		FD15T-NE92	FG15T-F2	FG15T-4Y	FD18T-NE92	FG18T-F2	FG18T-4Y
1.3	Drive unit		Diesel	Gasoline	Gasoline	Diesel	Gasoline	Gasoline
1.4	Operator type		Rider seated	Rider seated	Rider seated	Rider seated	Rider seated	Rider seated
1.5	Load capacity	Q (kg)	1500	1500	1500	1800	1800	1800
1.6	Load center	c (mm)	500	500	500	500	500	500
1.8	Load distance	x (mm)	420	420	420	420	420	420
Weights								
2.1	Service weight	kg	2700	2700	2700	2900	2900	2900
2.2	Axle loading, laden front/ rear	kg	3570/ 630	3570/ 630	3570/ 630	3995/ 705	3995/ 705	3995/ 705
2.3	Axle loading, unladen front/ rear	kg	1215/ 1485	1215/ 1485	1215/ 1485	1305/ 1595	1305/ 1595	1305/ 1595
Wheels, Chassis								
3.1	Tyre type		Pneumatic	Pneumatic	Pneumatic	Pneumatic	Pneumatic	Pneumatic
3.2	Tyre size, front		6.50-10-10PR	6.50-10-10PR	6.50-10-10PR	6.50-10-10PR	6.50-10-10PR	6.50-10-10PR
3.3	Tyre size, rear		5.00-8-10PR	5.00-8-10PR	5.00-8-10PR	5.00-8-10PR	5.00-8-10PR	5.00-8-10PR
3.5	Wheels, number front/ rear (x=drive wheels)		2x/ 2	2x/ 2	2x/ 2	2x/ 2	2x/ 2	2x/ 2
3.6	Tread, front	b ₁₀ (mm)	920	920	920	920	920	920
3.7	Tread, rear	b ₁₁ (mm)	920	920	920	920	920	920
Dimensions								
4.1	Mast/ fork carriage tilt, forward/ backward	α/ β (°)	6/ 12	6/ 12	6/ 12	6/ 12	6/ 12	6/ 12
4.2	Height, mast lowered	h ₁ (mm)	1995	1995	1995	1995	1995	1995
4.3	Free lift	h ₂ (mm)	120	120	120	120	120	120
4.4	Lift height	h ₃ (mm)	3000	3000	3000	3000	3000	3000
4.5	Height, mast extended	h ₄ (mm)	3960	3960	3960	3960	3960	3960
4.7	Height of overhead guard (cabin)	h ₆ (mm)	2070	2070	2070	2070	2070	2070
4.19	Overall length	l ₁ (mm)	3150	3150	3150	3190	3190	3190
4.20	Length to face of forks	l ₂ (mm)	2230	2230	2230	2270	2270	2270
4.21	Overall width	b ₁ / b ₂ (mm)	1080	1080	1080	1080	1080	1080
4.22	Fork dimensions	s/ e/ l (mm)	40×100×920	40×100×920	40×100×920	40×100×920	40×100×920	40×100×920
4.31	Ground clearance, laden, below mast	m ₁ (mm)	110	110	110	110	110	110
4.32	Ground clearance, center of wheelbase	m ₂ (mm)	145	145	145	145	145	145
4.33	Aisle width, 800×1000 pallet crossways	Ast (mm)	3560	3560	3560	3600	3600	3600
4.35	Outer turning radius	Wa (mm)	1995	1995	1995	2035	2035	2035
Performance								
5.1	Travel speed, unladen	km/ h	14	14	14	14	14	14
5.2	Lifting speed, laden	m/ s	0.46	0.46	0.46	0.46	0.46	0.46
5.3	Lowering speed, laden	m/ s	0.45	0.45	0.45	0.45	0.45	0.45
5.6	Maximum drawbar pull, laden S ₂ 5 min.	N	20500(17500)	20500(17500)	20500(17500)	20500(17500)	20500(17500)	20500(17500)
5.8	Maximum gradeability, laden S ₂ 5 min.	%	20	20	20	20	20	20
5.10	Service brake		hydraulic	hydraulic	hydraulic	hydraulic	hydraulic	hydraulic
Drive								
7.1	Engine manufacturer		YANMAR	MAZDA	CHINA	YANMAR	MAZDA	CHINA
	Engine type		4TNE92	F2(2.2L)	GQ-4Y (491)	4TNE92	F2(2.2L)	GQ-4Y (491)
7.2	Engine output/r.p.m	kW	33/ 2450	37.2/ 2700	41/2800	33/ 2450	37.2/ 2700	41/2800
	Rated torque/r.p.m	N.m	136/ 1600	142/ 1800	161/1800	136/ 1600	142/ 1800	161/1800
7.4	Number of cylinders		4	4	4	4	4	4
	Displacement	cm ³	2659	2184	2237	2659	2184	2237
	Bore×Stroke	mm	92×100	86×94	91×86	92×100	86×94	91×86
	Fuel tank capacity	L	50	50	50	50	50	50
Others								
8.0	Battery, Voltage/Capacity(20HR)	V/AH	12/60	12/60	12/60	12/60	12/60	12/60
8.1	Type of drive control		hydraulic transmission	hydraulic transmission	hydraulic transmission	hydraulic transmission	hydraulic transmission	hydraulic transmission
	Stage	FWD/RVS	1/1	1/1	1/1	1/1	1/1	1/1
	Manufacturer		CHINA	CHINA	CHINA	CHINA	CHINA	CHINA
8.2	Operating pressure for attachments	bar	175	175	175	175	175	175



1.5-1.8t T series mast: (Pneumatic)

Type														
Model	Max.fork height	Overall height			Free lift		Front Overhang		Tilt range		Capacity			
		Lowered	Extended		Without backrest	With backrest	1.5t	1.8t	FWD	BWD	Load capacity at 500 mm			
			Without backrest	With backrest							Single tire		Double tire	
		mm	mm	mm	mm	mm	mm	mm	Deg	Deg	1.5t	1.8t	1.5t	1.8t
Wide view 2-stage mast														
2W300	3000	1995	3585	3955	120	120	420	420	6	12	1500	1800	1500	1800
2W330	3300	2145	3885	4255	120	120	420	420	6	12	1500	1800	1500	1800
2W350	3500	2245	4085	4455	120	120	420	420	6	12	1500	1800	1500	1800
2W360	3600	2295	4185	4555	120	120	420	420	6	12	1500	1800	1500	1800
2W400	4000	2545	4585	4955	120	120	420	420	6	12	1500	1800	1500	1800
2W430	4300	2695	4885	5255	120	120	420	420	6	12	1400	1600	1500	1800
2W450	4500	2795	5085	5455	120	120	420	420	6	6	1250	1400	1350	1500
Full free 2-stage mast														
2F300	3000	2040	3605	3955	1345	1105	420	420	6	12	1500	1800	1500	1800
2F330	3300	2190	3905	4255	1495	1165	420	420	6	12	1500	1800	1500	1800
Full free 3-stage mast														
3F430	4300	1965	5070	5255	1425	1080	440	440	6	6	1250	1450	1350	1550
3F450	4500	2045	5130	5465	1485	1140	440	440	6	6	1200	1350	1300	1450
3F480	4800	2160	5445	5755	1575	1230	440	440	6	6	1100	1250	1200	1350
3F500	5000	2210	5605	5955	1665	1320	440	440	6	6	1050	1150	1150	1250
3F550	5500	2375	6120	6455	1825	1480	440	440	3	6	/	/	950	1050
3F600	6000	2600	6695	6955	1975	1630	440	440	3	6	/	/	750	850

Options
2.0-5.0m / 79-197 inch duplex mast
2.5-4.0m / 98-157 inch full free duplex mast
4.3-6.5m / 169-256 inch triplex mast
Special carriage and backrest
Other dimension forks
Dual drive wheel with fender
Solid tyre
Colored tyre (white / green)
Cabin
Heater and air condition
Fire extinguisher
Semi-suspension seat or full-suspension seat
Dual air cleaner or special air cleaner
Rear working light
Customer painting
Auxiliary hydraulic valve modules
High-mounted exhaust system
Middle-mounter exhaust system
Anti-fire spark exhaust device
Diesel exhaust da purifier
Radiator screen
Side shifter
Integrated side shifter
Other attachment

LOAD CAPACITY CHART
2-stage mast

